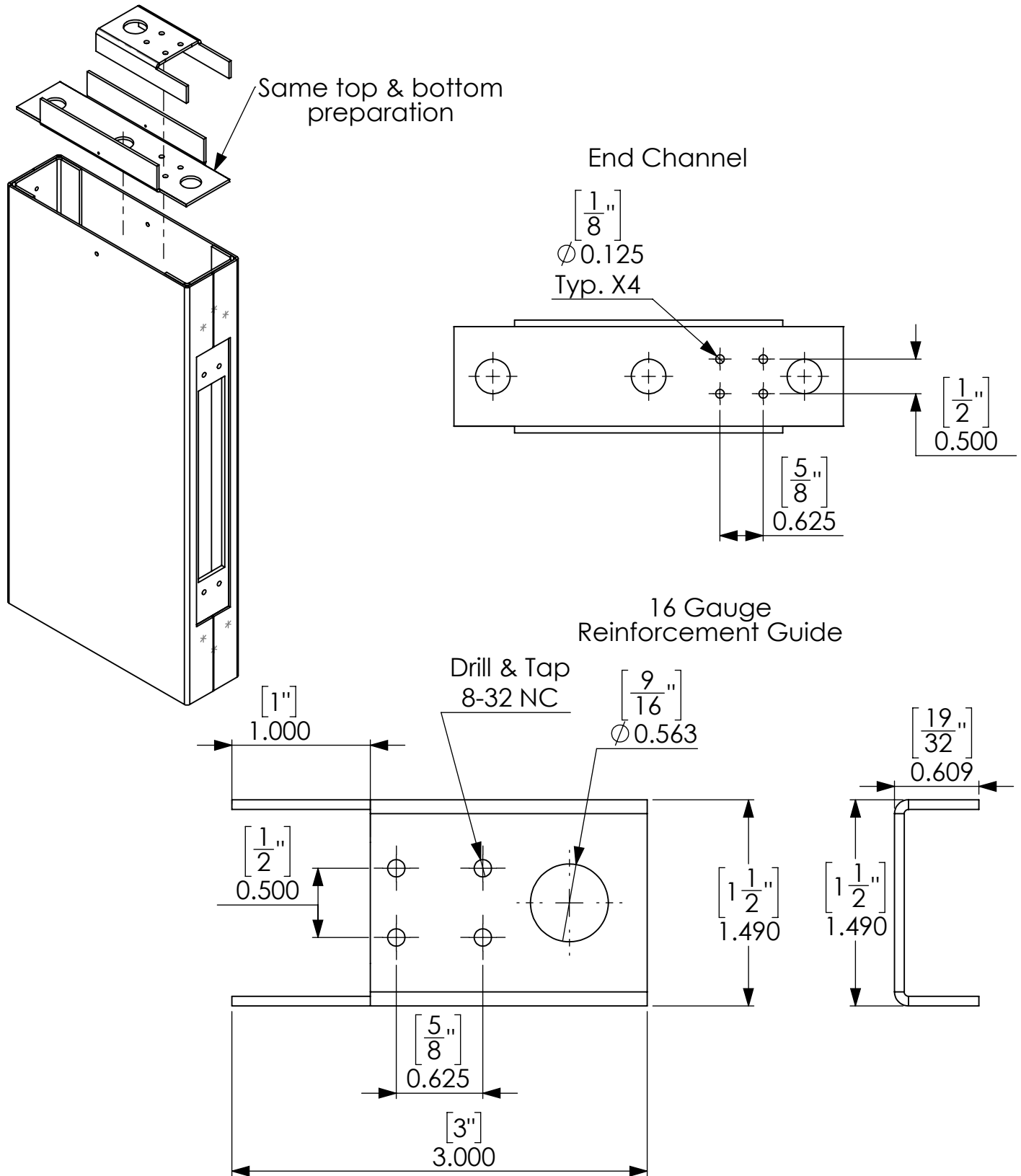


Flush Bolt Guide Plate for Top and Bottom of Door



Guide plate provided by flush bolt manufacturer.
 Attached to top of reinforcement, produced by NCHM
 May vary by hardware template