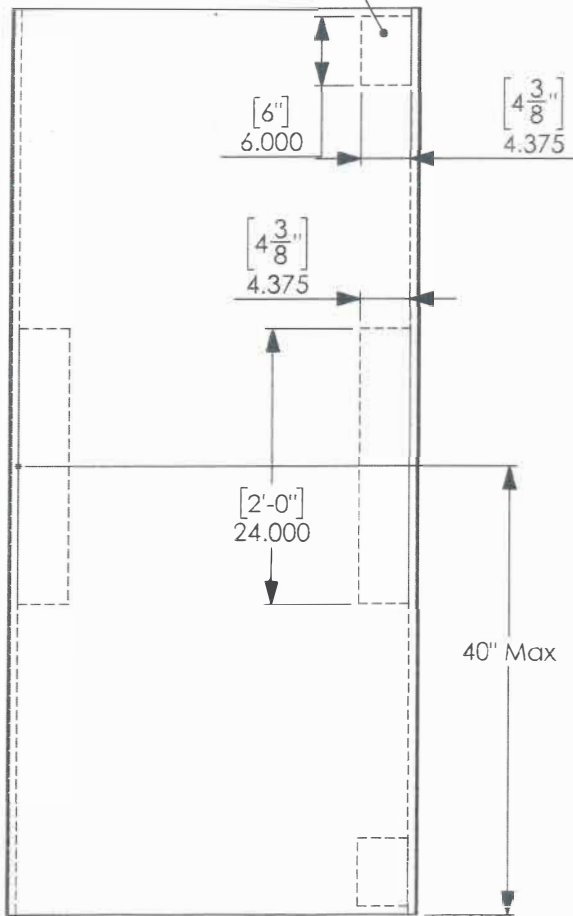
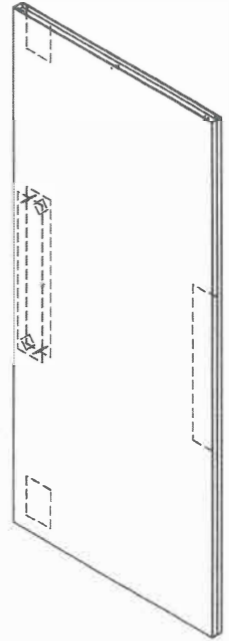


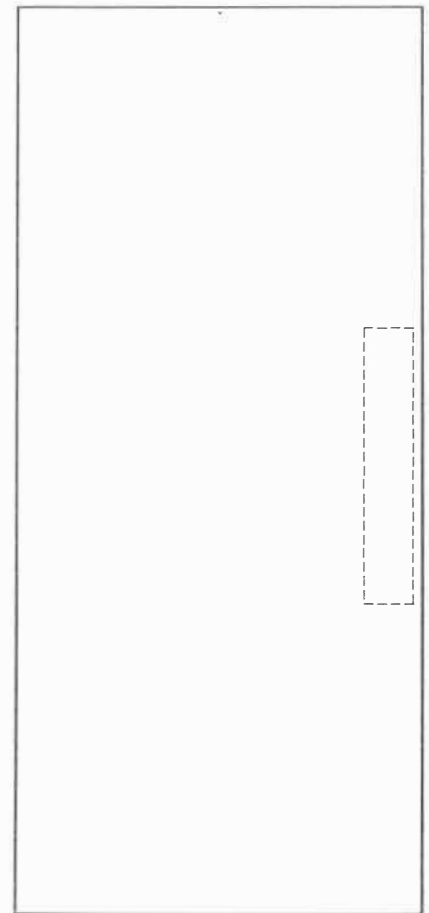
Surface Vertical Rod Reinforcement

Top & bottom reinforcement plates required on vertical rod application\*



Inside Face of Door  
(push side)

\*All plates 14 Gauge



Outside Face of Door  
(pull side)