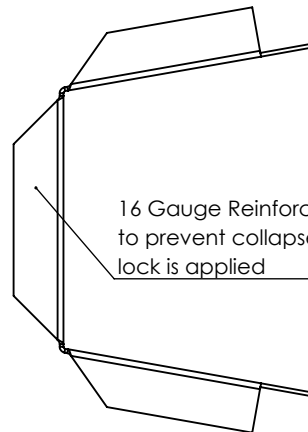
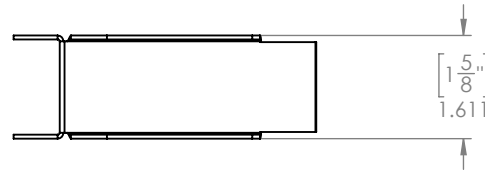


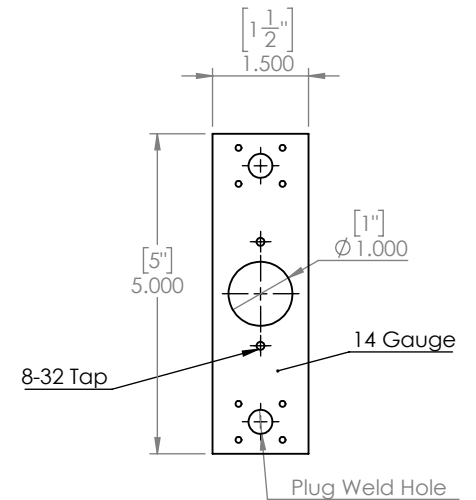
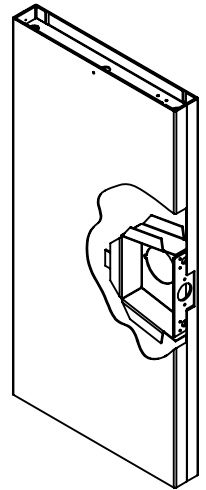
Tack Edges
to Strike Rail

Plug Weld
to Strike Rail

Cylindrical Lock Cutout



16 Gauge Reinforcement
to prevent collapse when
lock is applied



Plug Weld Hole

REVISIONS

No.	DESCRIPTION	DATE



1701 East 22nd Street Little Rock, AR 72206
 TEL: 501.372.3441 800.334.3070 FAX: 501.375.3070
 email: NCHMetal.com

Stainless Cylinder Lock Reinforcements

Drawn by: K. Jelley	Date: 03-23-18
DRAWING No. 014	SHEET 014 of 027

TITLE: Stainless Cylinder Lock Reinforcements

UNLESS OTHERWISE SPECIFIED ALL DIMENSIONS ARE IN INCHES