

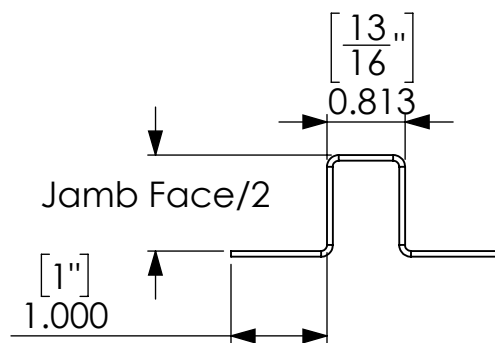
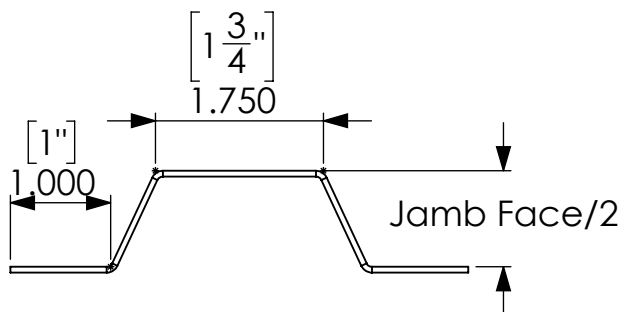
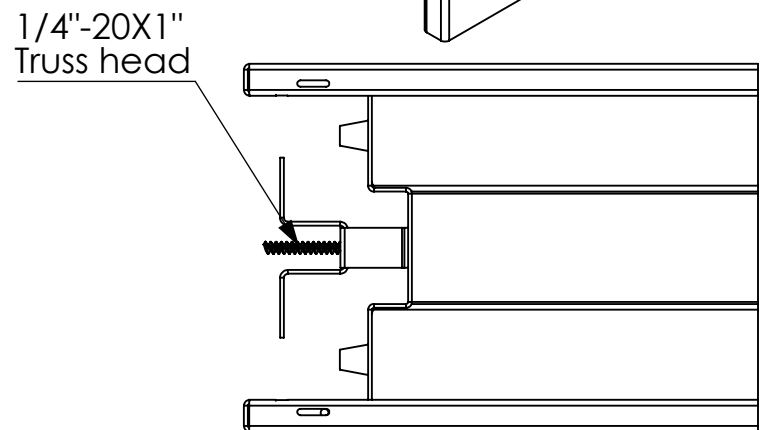
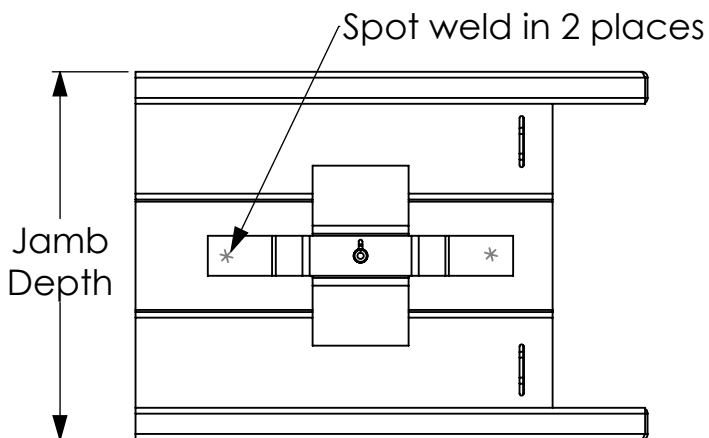
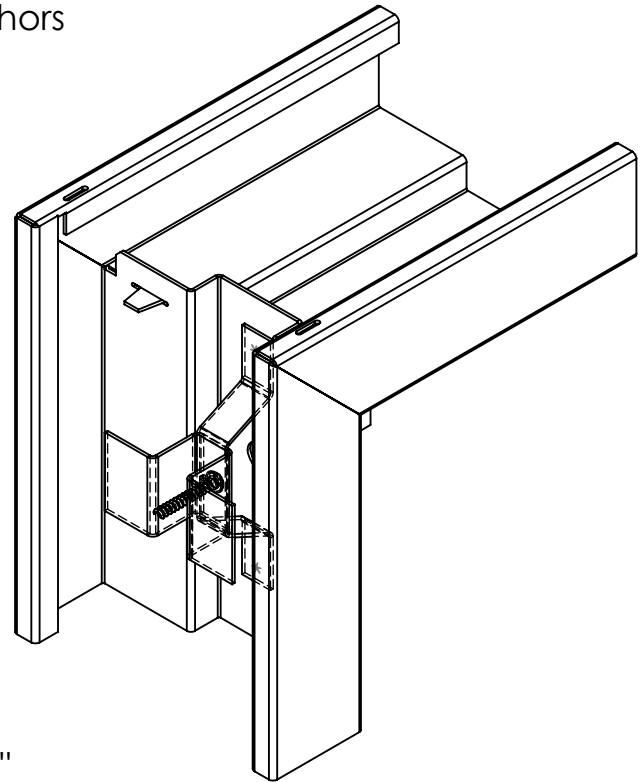
Compression Anchors

Available in Stainless or Galvanneal

Shipped fully extended

Custom sizes available

Minimum face size 1-1/2"



#7 Drill Bit
1/4-20 Tap

