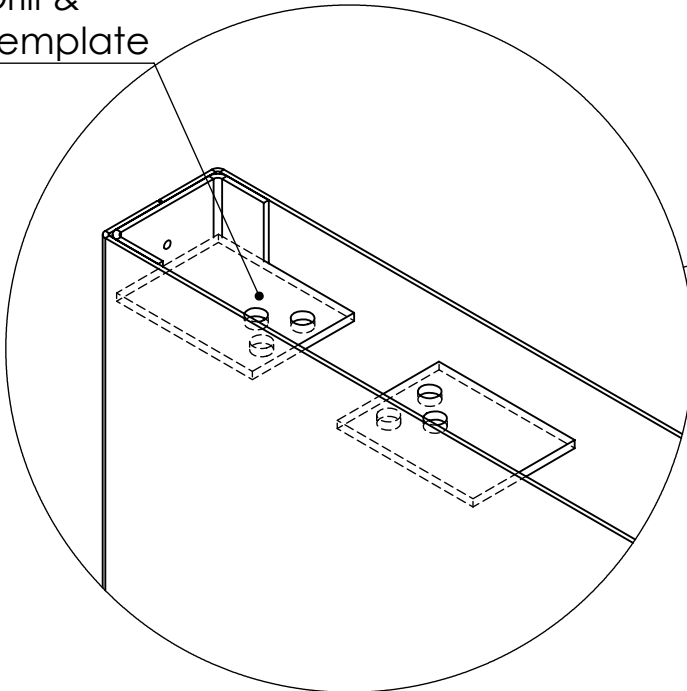


Concealed Vertical Rod Reinforcements

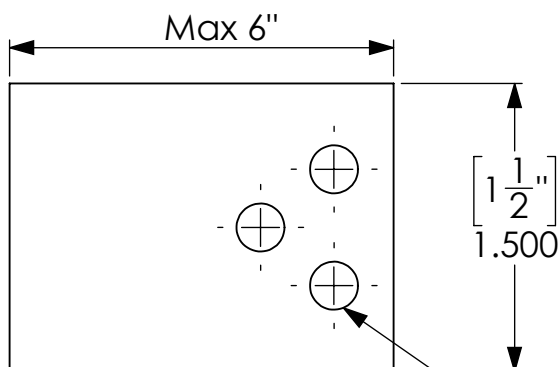
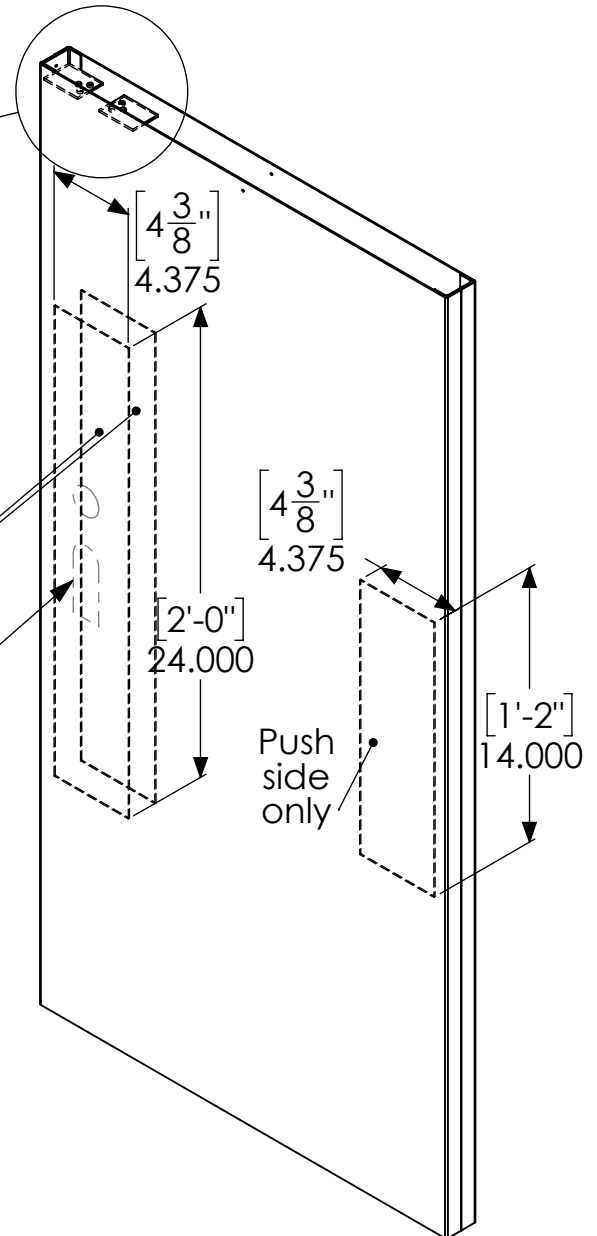
12 Gauge Plates
Locate, Drill &
Tap per Template



Top & Bottom Same

14 Gauge Reinforcements

Punch or drill holes
per hardware Template



Locate, Drill &
Tap per hardware Template